



# TYRE TROLLEY 100KG CAPACITY

MODEL NO: TH003.V3

Thank you for purchasing a Sealey product. Manufactured to a high standard, this product will, if used according to these instructions, and properly maintained, give you years of trouble free performance.

**IMPORTANT:** PLEASE READ THESE INSTRUCTIONS CAREFULLY. NOTE THE SAFE OPERATIONAL REQUIREMENTS, WARNINGS & CAUTIONS. USE THE PRODUCT CORRECTLY AND WITH CARE FOR THE PURPOSE FOR WHICH IT IS INTENDED. FAILURE TO DO SO MAY CAUSE DAMAGE AND/OR PERSONAL INJURY AND WILL INVALIDATE THE WARRANTY. KEEP THESE INSTRUCTIONS SAFE FOR FUTURE USE.



Refer to instruction manual



Wear protective gloves



Wear protective footwear

## 1. SAFETY

- ❑ **WARNING!** Ensure Health & Safety, local authority, and general workshop practice regulations are adhered to when using this equipment.
- ✓ Always load centrally and evenly with the tyres registering with both load bearing uprights in the transport mode.
- ✗ **DO NOT** overload the trolley - see Specification.
- ✗ **DO NOT** leave unattended, especially when loaded, unless the wheels are chocked or the trolley is otherwise secured.
- ✗ **DO NOT** run over curbs or steps, use a ramp.
- ✗ **DO NOT** allow others to ride on the trolley.
- ✗ **DO NOT** use the trolley if any parts are damaged, paying particular attention to the jaws.

## 2. INTRODUCTION

Pick up and transport stacks of car tyres with ease. Strong tubular steel construction with welded joints. Pneumatic tyres allow easy transportation over rough ground.

## 3. SPECIFICATION

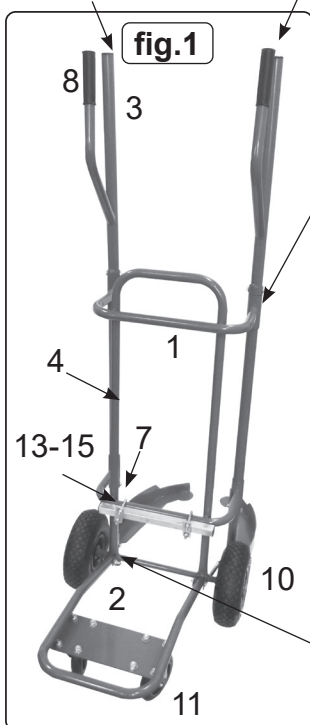
Model No. ....	TH003.V3
Capacity .....	100kg
Wheel Diameter.....	250mm
Height.....	1520mm
Max. jaw capacity.....	900mm
Min. jaw capacity.....	420mm

## 4. ASSEMBLY

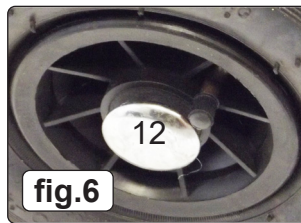
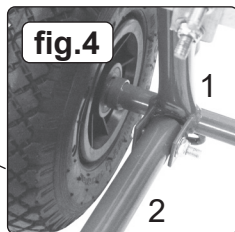
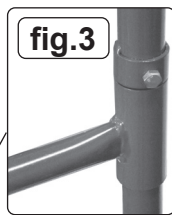
Numbers refer to attached Parts List  
Diagrams are for reference only

Transport handlebars and stack support

Jaw sweep and lift levers (with grips)



Operator side



#### 4.1. CHECK CONTENTS ( Item numbers refer to Parts List)

4.1.1. Empty contents of packaging and display on a bench top to identify and check for missing or damaged parts. If there are missing or damaged parts, consult your Sealey Stockist immediately.

#### 4.2. ASSEMBLY (tools required 2x13mm and 2x17mm spanners, thin nosed pliers).

4.2.1. Fit castor frame (item 2) to mounting frame (item 1) at pivot point shown in fig.4. **DO NOT** over tighten fixings to allow the two frames to pivot freely.

4.2.2. Clean stub axles and slide on pneumatic wheels (item 10) in fig.4. Push in hub caps (item 12) in fig.6 to retain wheels.

4.2.3. Fit castor assemblies (item 11) to plate shown in fig.1 with M10 hexagon screws, nuts and washers. (17mm spanner).

4.2.4. Slide two adaptor tubes (item 4) through the tee joints of stub axle frame. The single hole is at the top as shown in fig.3.

4.2.5. Slide two collars (item 7) up the adaptor tubes from the base to the lower tee joint in fig.1 and fig.5. Pass an M8 X 45 bolt through the collar and tee joint both sides and loosely fit the stiff nuts and washers. This will require two 13mm spanners.

4.2.6. Fit the two handlebar and lever combinations (item 3) with M8 X 45 bolts, stiff nuts and washers clamping tightly without crushing tube ends. Note the orientation of the levers.

4.2.7. Clamp the previously mentioned fixing in 4.2.5 without crushing collar.

4.2.8. Fit the jaws (item 5 & 6) to the bottom of the adaptor tubes, pass an M8 X 45 bolt through the jaw sleeve and clamp without crushing with the stiff nuts and washers. Hook over tension springs (item 9) with thin nosed pliers, spring shown in fig.5.

4.2.9. Fit the angle adjustment bar (item 13) with "U" bolts, clamp plates, M8 stiff nuts and washers. **DO NOT** over tighten fixings, the bar is only a spacer. Fitting of the angle adjustment bar is recommended only, and if preferred by the user it can be removed (by the user).

4.2.10. If not supplied fitted, push on supplied handle grips (item 8) and handle bar grips (item 22).

#### GENERAL FITTING NOTES

Fit washer on hexagon nut side, hold bolt or screw with a spanner and tighten hexagon nut with another spanner. Some bolted frame joints may not fully clamp making the joint rigid. Provided the fixings are tight, small backlash movements in the levers or frame are not critical to the function of the trolley.

## 5. OPERATION

5.1. From the operator side of the trolley in fig.1 tilt the handlebars toward you and lower until the angle adjustment bar (13) comes into contact with the swivel castor frame (2).

5.2. Transport the trolley using the non gripped handlebars **NOT** the jaw sweep gripped levers. Avoid collisions which could damage jaws.

5.3. Before presenting the trolley to the load, stack the tyres vertically and centrally on a flat horizontal surface. Remember the maximum load is 100kg, the largest wheel diameter is approximately 900mm, with a maximum stack height of approximately 1400mm.

5.4. The jaws offer a low profile flat wedge and by use of the jaw sweep levers the trolley can be manoeuvred beneath the stack. Further manipulation of the jaw sweep levers will enable the circumference of the bottom tyre to contact the curved flanges of the jaws. It may be necessary with low profile tyres especially to improvise this location method.

5.5. When fully nested, place one foot on the swivel castor frame (now the fulcrum) and both hands on the jaw sweep levers. **Raise the stack slowly** (raising the stack quickly affectively increase load forces, and could damage jaws) by lowering the trolley frame until the angle adjustment bar contacts the swivel castor frame. Naturally remove your foot from the swivel castor frame in this action.

5.6. Transport the load using the non gripped handlebars **NOT** the jaw sweep gripped levers.

5.7. On arrival at the required area, lower the stack of tyres to the ground level by raising the handlebars **slowly** to the vertical position.

5.8. Manipulation of the jaw sweep levers will enable removal of the trolley. Some improvisation may be required.

## 6. MAINTENANCE

6.1. Maintain tyre pressures, 1.5bar maximum (20psi)

6.2. Check security of frame and jaw fixings, frame and jaw welds especially condition of jaws.

6.3. Check for missing springs.

6.4. Wipe frame clean after use with a mild detergent and moist cloth. Allow to dry before storage in a dry child proof, safe location.



#### ENVIRONMENT PROTECTION

Recycle unwanted materials instead of disposing of them as waste. All tools, accessories and packaging should be sorted, taken to a recycling centre and disposed of in a manner which is compatible with the environment. When the product becomes completely unserviceable and requires disposal, drain any fluids (if applicable) into approved containers and dispose of the product and fluids according to local regulations.

**Note:** It is our policy to continually improve products and as such we reserve the right to alter data, specifications and component parts without prior notice. If you require documentation for alternative versions, please email or call our technical team on [technical@sealey.co.uk](mailto:technical@sealey.co.uk) or 01284 757505.

**Important:** No Liability is accepted for incorrect use of this product.

**Warranty:** Guarantee is 12 months from purchase date, proof of which is required for any claim.

Sealey Group, Kempson Way, Suffolk Business Park, Bury St Edmunds, Suffolk. IP32 7AR



01284 757500



01284 703534



[sales@sealey.co.uk](mailto:sales@sealey.co.uk)



[www.sealey.co.uk](http://www.sealey.co.uk)